

CLINICAL CHEMISTRY | HEMOSTASIS | INFECTIOUS DISEASE | POINT OF CARE

KC1 Δ TM and KC4 Δ TM



KC1 Δ TM and KC4 Δ TM Coagulation Analyzers

The Perfect Fit for Small Volume Coagulation Laboratories

Instrument Features

- Patented Mechanical Clot Detection for reproducible and reliable results
- Half-volume PT and APTT testing for significant savings
- Auto Start Testing
- Flexible instrumentation to simplify both routine and STAT testing
- Data management capabilities
- Short lag time (4.6 sec.) suitable for veterinarian applications
- Excellent replacement for a Fibrometer
- The perfect back-up for optical clot detection analyzers



Analyzer Components and Specifications

KC1 Δ TM

One test position with preparation area for 4 samples
 Half volumes
 Test menu includes PT, APTT, Fibrinogen
 Short lag time for veterinary applications
 Open system
 Automatic INR Calculation
 Printer available for purchase with analyzer

Specifications

Dimensions: 3.25 in H x 8.25 in L x 5.5 in W
 8.0 cm H x 21 cm L x 14 cm W
 Weight: 2.5 lb (1.2 kg)
 Product Number: G05000

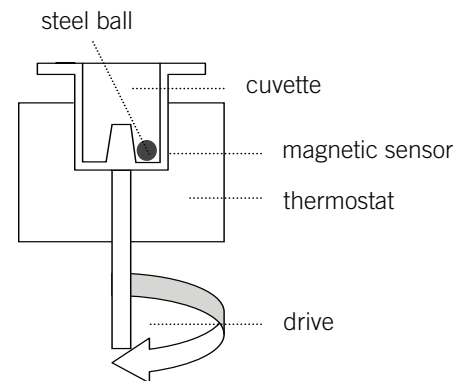
KC4 Δ TM

Four test positions with preparation area for 12 samples
 Half Volumes
 Full range of clotting assays (PT, APTT, Fibrinogen Factors)
 37° incubation area for eight samples and five reagents
 Complete Data Management
 Programmable single and duplicate test modes
 Precision monitoring of duplicate tests
 Printer available for purchase with analyzer

Specifications

Dimensions: 4.7 in H x 17.7 in L x 13.9 in W
 Dimensions: 12.0 cm H x 45.0 cm L x 35.4 cm W
 Weight: 14 lb (6.3 kg)
 Product Number: N04000

KC1 TM and KC4 TM Consumables and Accessories	
Product #	Description
G05000	KC1 Δ Coagulation Analyzer (1-channel mechanical clot detection)
N04000	KC4 Δ Coagulation Analyzer (4-channel mechanical clot detection)
852015	KC Delta Thermal Printer Paper 112x25x12
Z01000	Ball Dispenser
Z04101	Univets Macro for KC1 Δ - 220
Z04140	Micro Tetravettes for KC4 Δ and KC4A Micro- 600
Z05100	KC Macro cuvettes/balls for KC1 Δ and KC4A Macro- 1,000
Z05111	KC Micro cuvettes/balls for KC4 Δ , KC4A Micro, KC1A Micro- 2,000
K4257	KC1 Δ , KC1A Pipette Tips, 200 μ L (yellow)- 2,000
837040	KC Delta Pipette Tips- 1,000
838025	KC4 Δ , KC4A CombiTips, 2.5 ml pipette tips- 100
838830	KC Δ Adjustable Pipette 50/100/200 μ L
832150	Glass Tubes - 14.5x85mm- 50
832155	Plastic Tubes - 14.5x85mm- 50
838820	Pipette for the KC4 Δ
Z09161	Printer Set for the KC1 Δ
Z09165	Printer Set for the KC4 Δ



Patented Ball Method for Clot Detection

To learn more about the **KC1 Δ TM** and **KC4 Δ TM** and our complete line of fully automated Analyzers, call Trinity Biotech at 800-325-3424, or e-mail us at coag@trinityusa.com.